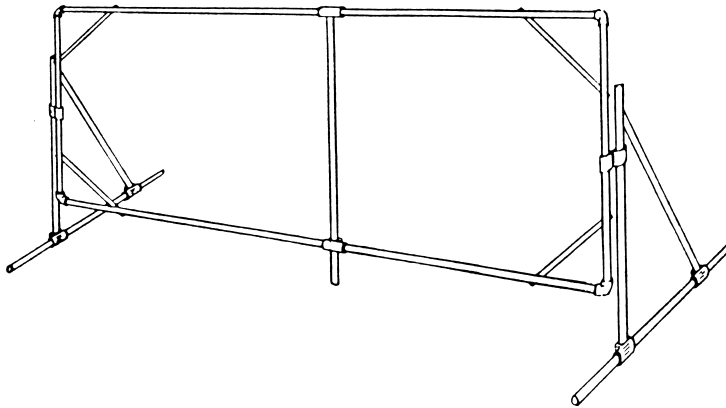




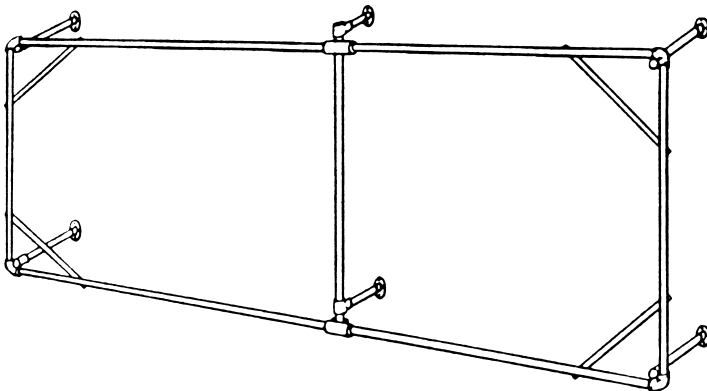
HURLEY ALUMINUM FRAMES

A wide variety of frame styles for use in any audio visual setting. Light weight, clean, rugged, easy to assemble. All frames are constructed from 6063-T6 schedule 10 aluminum pipe. Frames are fabricated using rugged cast aluminum slip fittings. Can be fabricated to your special specification or in one of the styles below.



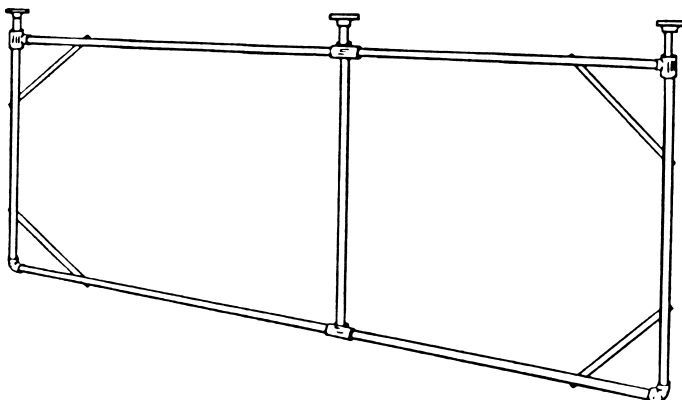
AVA

Free standing model for use in smaller classroom, auditorium settings. Can be fabricated with optional height and tilt adjustments.



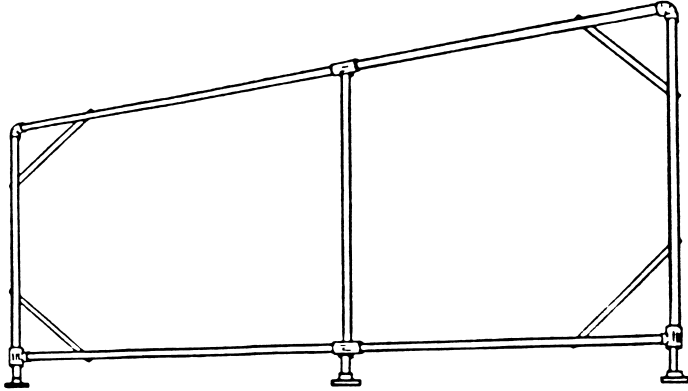
AVB

Popular wall mount style for large auditoriums or theatres with permanent screen location. Can be fabricated with tilt feature to allow overhead projection.



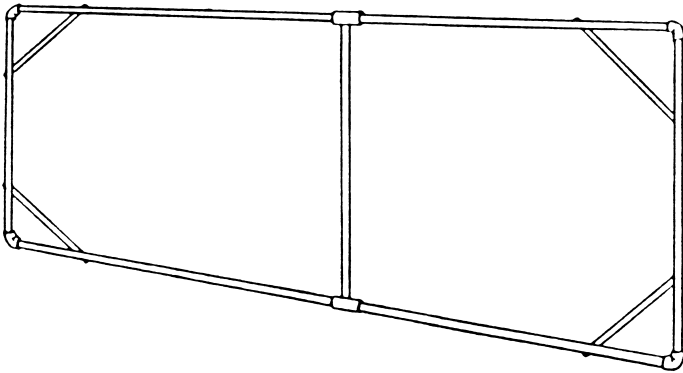
AVC

Floor or ceiling style allows frame to rest on legs or be suspended by pipe from ceiling.



AVD

Variation of the AVC ceiling style which has the provision to swivel frame out of the way when not in use. Excellent for multipurpose auditoriums.



AVF

Basic frame design which can be adapted to a wide variety of situations. Can be used on cables from ceiling or counter weighted to raise or lower.

All the above aluminum frames are offered curved at virtually any radius. A curved aluminum frame is great for a wide variety of applications, from large theatre screens with a wide radius to simulators with a short radius, where the screen will fill the viewers peripheral vision.